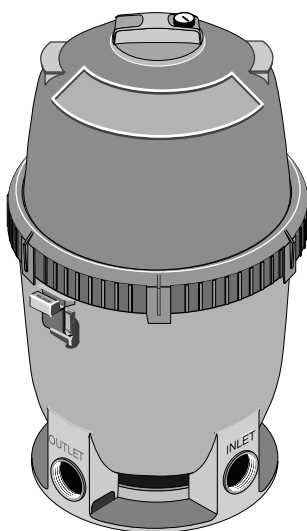


STA-RITE®

"PL" Series Modular Media Filters

O W N E R ' S M A N U A L



2161 1295

INSTALLATION, OPERATION & PARTS

MODELS

PLM100

PLM125

PLM150

PLM175

PLM200



This manual should be furnished to the end user of this filter; its use will reduce service calls and chance of injury and will lengthen filter life.

Sta-Rite Pool/Spa Group

U.S. PATENT NO. 5190651 (Other patents pending)

293 Wright Street, Delavan, WI 53115

North America: 800-752-0183, FAX 800-582-2217

International: 262-728-5551, FAX: 262-728-4461, TELEX: ITT 4970245

www.sta-ritepool.com

Union City, TN • Delavan, WI • Mississauga, Ont. • Murrieta, CA

© 2002, Sta-Rite Industries, Inc.

Printed in U.S.A.

S338 (Rev. 4/26/02)

E
N
G
L
I
S
H

F
R
A
N
Ç
A
I
S

E
S
P
A
Ñ
O
L

Table of Contents

Safety Instructions	2
General Information	3
Specifications	4
Installation	5
Initial Startup	6
Filter Disassembly / Assembly	6-7
Module Cleaning Procedure	7-8
Special Cleaning Instruction	8
System Inspection/Winterizing	9
Troubleshooting Guide	10
Repair Parts List	11
Warranty	12

READ AND FOLLOW SAFETY INSTRUCTIONS!

⚠ This is the safety alert symbol. When you see this symbol on your filter or in this manual, look for one of the following signal words and be alert to the potential for personal injury.

⚠ DANGER warns about hazards that **will** cause death, serious personal injury, or major property damage if ignored.

⚠ WARNING warns about hazards that **can** cause death, serious personal injury, or major property damage if ignored.

⚠ CAUTION warns about hazards that **will** or **can** cause minor personal injury or property damage if ignored.

NOTICE indicates special instructions not related to hazards.

Carefully read and follow all safety instructions in this manual and on equipment. Keep safety labels in good condition; replace if missing or damaged.

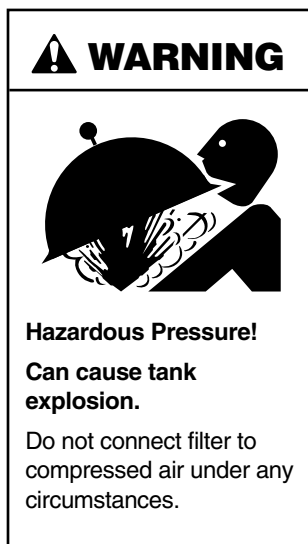
⚠ WARNING **Hazardous pressure** **Incorrectly installed or tested equipment may fail, causing severe injury or property damage.** Read and follow instructions in owner's manual when installing and operating equipment. Have a trained pool professional perform all pressure tests.

1. Do not connect system to a city water system or other external source of pressurized water.
2. Use equipment only in a pool or spa installation.
3. Trapped air in system can cause explosion. **BE SURE** all air is out of system before operating or testing equipment.

Before pressure testing, make the following safety checks:

- Check all clamps, bolts, lids, lock rings and system accessories before testing.
- Release all air in system before testing.
- Tighten Sta-Rite trap lids to 30 ft. lbs. (4.1 kg-cm) torque for testing.
- Water pressure for test must be less than 25 PSI (172 kPa).
- Water Temperature for test must be less than 100° F. (38° C).
- Limit test to 24 hours. After test, visually check system to be sure it is ready for operation. Remove trap lid and retighten hand tight only.

NOTICE: These parameters apply to Sta-Rite equipment only. For non-Sta-Rite equipment, consult equipment manufacturer.



GENERAL INFORMATION

- Clean a new pool as well as possible before filling pool and operating filter. Excess dirt and large particles of foreign matter in the system can cause serious damage to the filter and pump.
- With a permanent media filter in place and operating correctly, clean water is returned to the pool faster than pool water is being contaminated. A typical pool installation will require approximately one week to obtain and maintain the sparkle that your filter is capable of giving you.
- Maximum pressure is 50 PSI (345 kPa). DO NOT connect the filter to a city water system or to an individual water well system.

▲ WARNING Hazardous pressure. Open air release valve to vent all air from system before operating system. NEVER operate filter with air trapped inside.

- The Sta-Rite modular media filter is designed to filter water for swimming pools and spas. On a new installation, we recommend:

1. Disassemble the filter after the initial cleanup.

▲ WARNING Hazardous pressure. To prevent severe injury or major property damage, exactly follow "Filter Disassembly/Assembly Procedure" on Pages 6 and 7.

2. Remove and hose down the element assembly to remove contaminants.

- Maintain pool water pH between 7.2 and 7.6.
- Make sure that internal air bleed tube and filter are clean and installed properly at top of module before operating filter.
- Make sure that Posi-Lok™ Ring is securely locked in place before operating filter.
- Maintain pressure gauge in good working order. Replace a damaged gauge immediately.
- Cleaning interval is based on pressure rise, not on length of time filter is operated. Different water conditions will have different normal cleaning intervals.
- Check local codes for restrictions on waste water disposal requirements.

NOTICE: Some pool disinfectants may clog filter module. To maximize module life and filter cycle time, closely follow disinfectant manufacturer's instructions when cleaning pool or filter. Failure to follow these instructions may affect warranty coverage of the module.

Owner's Information

Serial Number _____
 Dealer _____
 Dealer's Telephone # _____
 Purchase Date _____
 Installation Date _____
 Pressure Gauge Reading at Startup _____

When to Clean the Filter

The filter module should normally be cleaned when the pressure gauge reading increases 10 PSI over the start-up pressure (record the start-up pressure under "Owner's Information", below, right).

In some pools, accessories such as fountains or pool cleaners may be noticeably affected by the normal decrease in flow as the filter becomes dirty. If so, clean the filter more frequently (that is, at a pressure increase of less than 10 PSI) in order to maintain the required flow.

▲ WARNING



Risk of drowning and falls. Place equipment at least 4 feet from pool so that children cannot climb over it into pool.

Do not allow children to stand or play on filter or pump.

SPECIFICATIONS

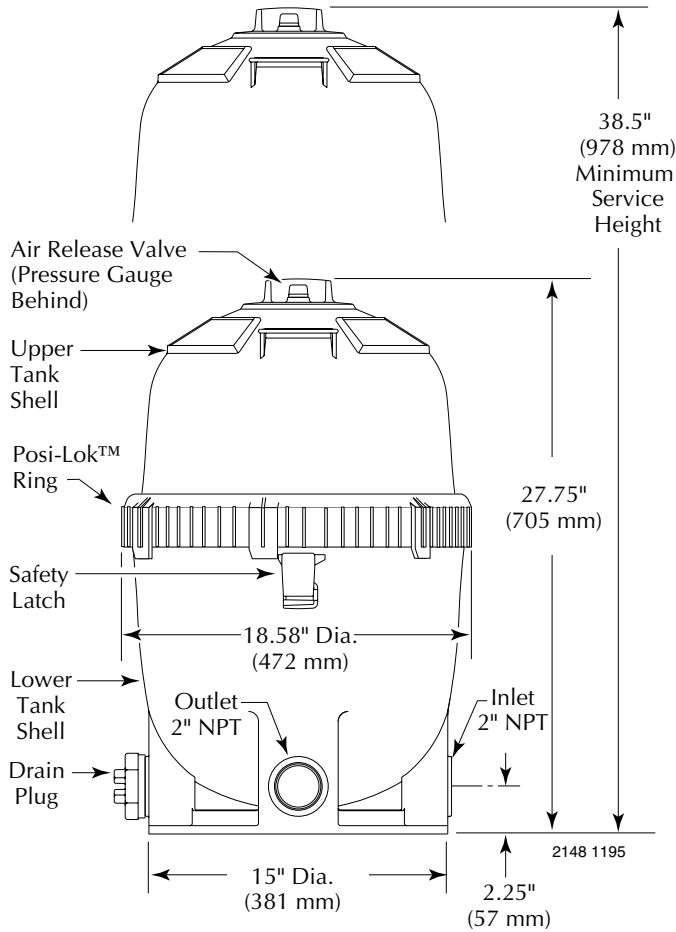


FIGURE 1A – Dimensions in inches (mm)

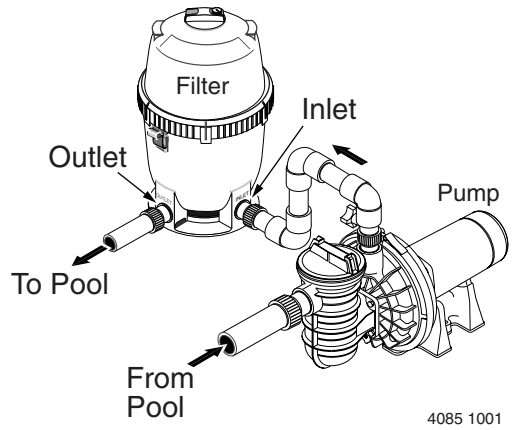


FIGURE 1B – Piping Connections

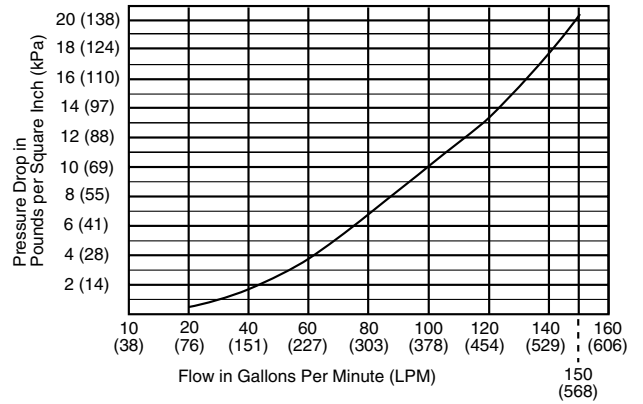


FIGURE 2 – Pressure Drop Curve

Table 1 - Filter Specifications

	PLM100	PLM125	Model No. PLM150	PLM175	PLM200
Filter Area sq. ft. (m ²)	100(9.3)	125(11.6)	150(14)	175(16.3)	200(18.6)
Max. Rated Flow GPM (LPM)					
Commercial	37(140)	47(178)	56(212)	66(249)	75(284)
Max. Operating Pressure PSI (kPa)	50(345)	50(345)	50(345)	50(345)	50(345)
Max. Continuous Water Temperature F(C)	104°(40°)	104°(40°)	104°(40°)	104°(40°)	104°(40°)

INSTALLATION

Installation of filter should only be done by qualified, licensed personnel.

Filter mount must:

- Provide weather and freezing protection.
- Provide space and lighting for easy access for routine maintenance. (See Figure 1 for space requirements.)
- Provide ventilation and drainage for pump.
- Be on a reasonably level surface and provide adequate drainage.

Piping (See Figure 1B for correct connections):

- Piping must conform to local/state plumbing and sanitary codes.
- Use teflon tape, Plasto-Joint Stik^{®1}, or Silastic RTV #732[®] on all male connections of plastic pipe and fittings. **DO NOT use pipe compounds on plastic pipe; it will cause the pipe to crack. Do not use sealant on unions – assemble them dry and hand tight.**
- Support pipe independently to prevent strains on filter.
- Fittings restrict flow; for best efficiency use fewest possible fittings.
- For ease of maintenance, use Sta-Rite union couplings to connect the piping to the filter inlet and outlet ports.
- Keep piping tight and free of leaks: pump suction line leaks may cause trapped air in filter tank or loss of prime at pump; pump discharge line leaks may show up as dampness or jets of water.
- **NOTICE:** Overtightening can crack filter ports.

NOTICE

Make sure that the filter and all piping can be drained for winterizing. See "Winterizing", Page 9.

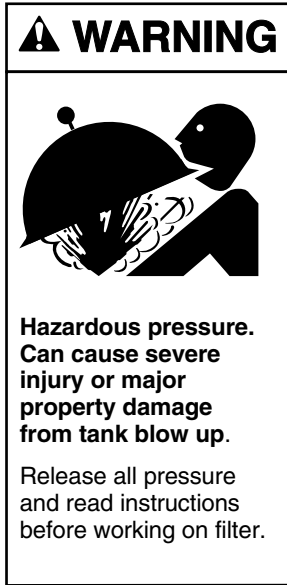
Valves:

- Install valves on both sides of the filter to isolate filter for easy servicing.
NOTICE: Install heater downstream of filter. If heater does not incorporate a check valve, install one at the heater inlet to prevent hot water from backing up into the filter. Filter modules damaged by excessive heat will void the warranty.
- A check valve installed ahead of filter inlet will prevent contaminants from draining back into pool.

Electrical:

- **BE SURE** filter grounding and bonding meets local and National Electrical Code standards. All wiring, grounding and bonding of associated equipment must meet local and National Electrical Code Standards.

¹ Lake Chemical Co., Chicago, IL



INITIAL START-UP

⚠ Be sure pump is OFF before starting procedure.

⚠ Do not operate these filters at more than 50 PSI (345 kPa) under any circumstances!

1. Securely lock Posi-Lok™ ring in place by rotating ring **CLOCKWISE** until it “clicks” past the safety latch (see Figure 3). Stop turning as soon as the ring clicks past the latch. The ring may feel slightly loose, but it will tighten up when pump is on and filter is under pressure.

2. Fill trap on pump with water.

3. Open air release valve on top of filter.

4. Open isolation valves.

5. Start pump to purge air from system.

6. When steady stream of water comes from air release valve, close the valve.

NOTICE: Leaking around the Posi-Lok™ ring may indicate that the ring is not fully locked. In this case, proceed as follows:

A. Stop the pump, close the isolation valves, and open the air release valve to release any pressure within the filter.

B. Remove the drain plug and drain all water from the filter.

C. Push down on the top of the filter to fully seat the upper tank shell.

D. Rotate the Posi-Lok™ clockwise until it locks behind the safety latch (see Figure 3).

E. If the ring was already locked, remove it and the upper tank shell.

Inspect and clean the O-ring and all sealing surfaces. Relubricate the O-ring.

NOTICE: Lubricate O-ring only with the silicone grease provided or equivalent, as other lubricants may cause the ring to swell. **DO NOT** lubricate Posi-Lok™ ring or threads on lower tank shell as this may collect grit and make removal difficult.

After filter is operating, record filter pressure gauge reading in owner's manual for future use.

NOTICE: When installed on a new pool, after approximately 48 hours of operation disassemble filter and clean out plaster dust, construction debris, etc. (see “Module Cleaning Procedure”, Pages 7 and 8).

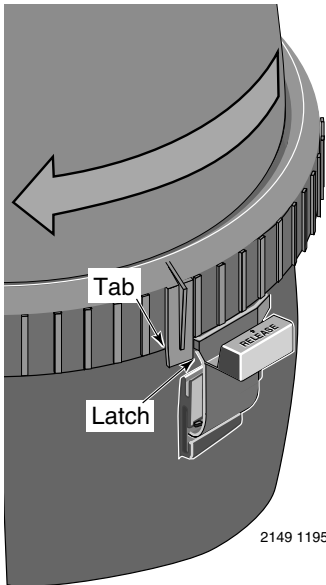


Figure 3 – Rotate Posi-Lok™ Ring until tab locks behind the safety latch.

FILTER DISASSEMBLY/ ASSEMBLY PROCEDURE

⚠ WARNING Hazardous pressure. Before disassembling filter:

1. STOP PUMP.

2. CLOSE isolation valves.

3. OPEN air release valve and drain fitting.

4. WAIT until all pressure is released and water drained from filter tank and system before loosening Posi-Lok™ Ring.

Disassembly:

1. Stop the pump.

2. Close isolation valves to prevent flooding.

3. Open air release valve on top of filter tank to release all pressure from inside of tank.

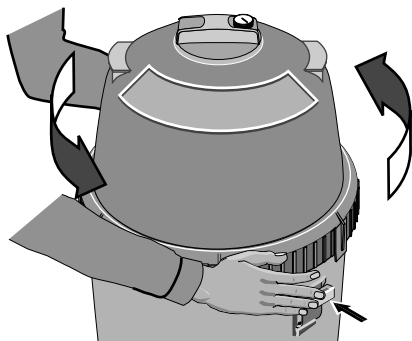


Figure 4 – Depress safety latch to unscrew Posi-Lok™ Ring.

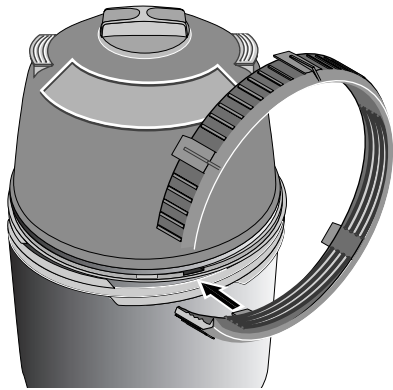


Figure 5 – Insert ring tab in slot in filter body.

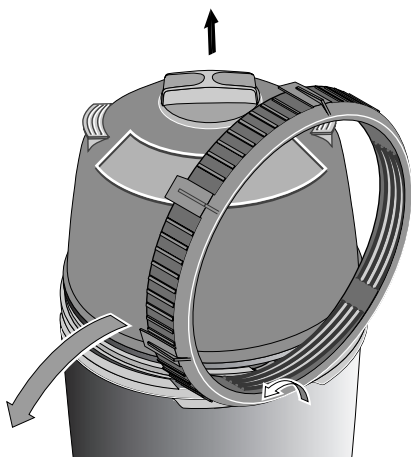


Figure 6 – Roll ring to one side to loosen upper tank half.

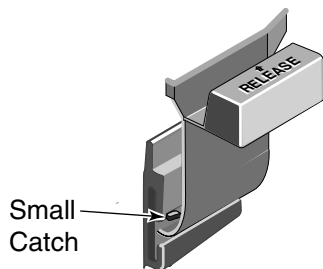


Figure 7 – Safety Latch

When to Clean the Filter

The filter module should normally be cleaned when the pressure gauge reading increases 10 PSI over the start-up pressure (record the start-up pressure under “Owner’s Information”, Page 3).

In some pools, accessories such as fountains or pool cleaners may be noticeably affected by the normal decrease in flow as the filter becomes dirty. If so, clean the filter more frequently (that is, at a pressure increase of less than 10 PSI) in order to maintain the required flow.

NOTICE: Make sure that waste water disposal complies with local codes and ordinances.

4. Remove drain plug and drain all water from tank.
5. Remove Posi-Lok™ ring as follows:
 - a. Press safety latch (below the ring) toward the tank to release it (see Figure 4).
 - b. Hold latch in the release position and rotate ring COUNTERCLOCKWISE to remove. If ring is difficult to turn, tap gently with a rubber mallet to overcome initial resistance.

NOTICE: DO NOT use screwdriver or bladed instrument that may damage shell surfaces to pry tank shells apart.

6. Separate upper and lower tank shell halves using tabs on bottom of Posi-Lok™ ring. Insert tab into slot located at tank joint and twist ring to pry shell halves apart. See Figures 5 and 6.
7. Remove O-ring from upper tank shell. Inspect for cuts, cracking, deformation or signs of wear; replace if necessary.

NOTICE: To avoid strain or damage, allow filter module to drain before lifting it out of the tank.

SAFETY LATCH (See Figure 7)

The purpose of the safety latch is to hold the Posi-Lok™ ring in the locked position. If the latch is damaged, replace it as follows:

1. Press down on the small catch behind the safety latch and press or tap the latch out of the “Tee” slot in the tank (see Figure 7).
2. Snap the new latch into position.

NOTICE: DO NOT operate the filter if the safety latch is damaged or will not hold the Posi-Lok™ ring in the locked position.

Assembly:

1. Inspect and clean the tank, ring threads and O-ring groove. Replace damaged parts as necessary.
2. Install the filter by placing the port in the bottom of the filter cartridge over the tank outlet port. Push down firmly to seal.
3. Ensure that the air bleed assembly on top of the module is clean and properly mounted.

NOTICE: Lubricate O-ring only with the silicone grease provided or equivalent, as other lubricants may cause the ring to swell. DO NOT lubricate Posi-Lok™ ring or threads on lower tank shell as this may collect grit and make removal difficult.

4. Install the O-ring in the upper tank shell O-ring groove. Be sure that the O-ring is clean and not twisted.
5. Push the upper tank shell into the lower tank shell to compress the O-ring.
6. Place the Posi-Lok™ ring squarely over the tank shell threads and rotate COUNTERCLOCKWISE until the ring falls into the slots; then rotate CLOCKWISE until securely latched.
7. Follow instructions in the “Initial Startup” section of this manual.

MODULE CLEANING PROCEDURE

Follow all steps in the “Disassembly” section of this manual.

The filter module should be removed and cleaned when pressure rises more than 10 psi (69 kPa) above startup pressure. See also “When to Clean the Filter,” at left.

▲ WARNING Risk of chemical burns. Do not attempt to acid clean the filter or module. If the filter requires acid cleaning, have a trained pool professional do the job.

NOTICE: When sanitizing your pool using PHMB (polyhexamethylene bi-quanide based) cleaners, use *only* PHMB cleaners to clean the module. When using PHMB sanitizers, the filter module **MUST** be cleaned more thoroughly and frequently than for a pool using chlorine. Follow manufacturer's instructions carefully. Use of any other type of cleansers with PHMB pool sanitizers will void the filter's warranty.

NOTICE: Avoid washing filter debris into the outlet port. Remove drain plug and flush foreign material from inside of tank before removing filter module.

1. With a hose equipped with a soft flow nozzle, wash as much dirt as possible off of the filter module while it is still inside the tank. Allow tank to drain completely.
2. Make sure that the inside of the tank is clean. Lift out the module and hose it down thoroughly. Spray the entire module surface. Allow module to drain.
3. Inspect the module. If necessary, repeat the washing operation. If the module is damaged, replace it.

NOTICE: If this cleaning method does not remove all deposits, see "Special Cleaning Instructions" section in this manual.

4. Inspect and clean air bleed filter at top of module.
5. Follow all steps in the "Assembly" and "Initial Startup" sections of this manual.

Special Cleaning Instructions:

Use this procedure to clean scale or oils which are not removed by hosing down module. Be sure to dispose of spent chemicals according to all applicable codes and waste disposal ordinances. Use a soft stream nozzle to minimize flying water and spray.

▲ DANGER Risk of fire or explosion. Isolate filter from system before chemical cleaning; rinse filter and elements completely before returning to service. If filter cannot be isolated, remove media and clean at another location. Follow chemical manufacturer's instructions for use. Do not mix chemicals except as directed by manufacturer. Do not allow cleaning chemicals to mix with or to come in contact with chlorine, bromines, other chemicals, or chemical feed devices.

1. Sponge or spray the module according to chemical manufacturer's directions.
2. If soaking is required, remove the module from the filter tank and submerge it in a separate tank. Follow cleaner manufacturer's instructions carefully.
3. After completing chemical manufacturer's instructions, drain and rinse the module completely. Dispose of cleaners in accordance with local codes and disposal ordinances.
4. Rinse the inside of the filter tank. Drain it completely.
5. Follow instructions in the "Assembly" and "Initial Startup" sections of this manual.

Recommended Specialty Filter Cleaners

Filter Cleanse™,
Great Lakes Biochemical

BIOGUARD Strip Kwik™,
BIOGUARD KleenIt™,
Softswim® Filter Cleaner,**
BIOLABS, Inc.

Filter Kleen™,
Haviland Products Co.

BAQUA CLEAN™, **
Zeneca, Inc.

** MUST be used when using any PHMB based sanitizer.

SYSTEM INSPECTION

General:

Wash the outside of the filter with a mild detergent and water. Rinse off with a hose.

NOTICE: DO NOT use solvents to clean the filter; solvents may damage plastic components in the system.

NOTICE: Open the air bleed valve and bleed all air from the filter each time the pump is stopped and restarted.

Weekly Inspection:

1. Remove debris from the pool skimmer basket.
2. Stop the pump; open the air release valve to release all pressure.
3. Remove the trap cover and basket; remove debris.
4. Check the pump for leaks. If found, see the pump owner's manual.
5. Replace the trap basket and the cover. Tighten the cover securely hand tight. DO NOT use a lid wrench to tighten it.
6. Start the pump. When the filter air release valve runs a solid stream of water, close the valve.
7. When the system has returned to normal operation, check the filter pressure. If the filter pressure is 10 PSI (69kPa) or more higher than the initial startup pressure, the filter needs cleaning. See "Module Cleaning Procedure", Pages 7 and 8.

WINTERIZING

▲WARNING Explosion hazard. Purging the system with compressed air can cause components to explode, with risk of severe injury or death to anyone nearby. Use only a low pressure (below 5 PSI), high volume blower when air purging the pump, filter, or piping.

NOTICE: Protect the filter from freezing. Allowing the filter to freeze will damage it and will void the warranty.

1. Clean the filter according to instructions (Pages 7 and 8) before winterizing.
2. Stop the pump.
3. Open the air release valve; open all the system valves.
4. Remove the drain plugs from the trap, pump, and filter.
5. Drain the system piping.
 - A. Gravity drain system as far as possible.
 - B. Protect areas which retain water with non-toxic propylene glycol antifreeze ("RV antifreeze").
6. Loosen the union nuts (if used) to drain all water from the filter interior. Leave these nuts loose until the system is restarted.
7. Disassemble the filter (follow instructions under "Filter Disassembly", Pages 6 and 7). Remove the filter module and store it in a warm, dry area.
8. If the filter is equipped with an optional internal spring check valve (in the tank outlet), manually open the check valve to allow any water trapped in the tank to drain.
9. Cover the filter with plastic or tarpaulin to prevent water entrance and freezing.

NOTICE

The filter outlet piping will not empty through the filter drain. Make sure that the outlet piping has a separate drain for winterizing.

TROUBLESHOOTING GUIDE

1. Short Cycle Time:

NOTICE: CycleTime will vary with each installation and between different areas of the country. The following causes and remedies are for cycle times shorter than normal for your area.

- A. Chlorine residual too low; maintain proper residual (consult pool professional for recommendation).
- B. Flow rate too high; restrict flow to rated capacity of filter (see instruction plate on filter or specifications on Page 4).
- C. Filter is too small; install an additional filter.
- D. Filter module is dirty or plugged; thoroughly clean the filter (see No. 4, "Plugged Module Cloth", and "Module Cleaning Procedure", Pages 7 and 8).
- E. Water is chemically out of balance; consult pool professional.
- F. Algae in the pool. Apply heavy dose of chlorine or algicide as recommended by the pool manufacturer.

2. Low Flow/High Pressure:

- A. Elements plugged; clean filter thoroughly (see Pages 7 and 8).
- B. Pipe blocked downstream from filter; remove obstruction.
- C. Piping too small; use larger pipe (consult dealer for sizing).
- D. Filter area too small; install an auxiliary filter (consult dealer for recommendation).
- E. Outlet port check valve obstructed (if applicable); remove obstruction to allow valve to open.

3. Low Flow/Low Pressure:

- A. Pump too small; consult dealer for recommendations.
- B. Plugged pump or plugged hair and lint trap; clean thoroughly.

4. Plugged Module Cloth:

- A. Insufficient cleaning; follow cleaning instructions closely and clean thoroughly (see Pages 7 and 8).
- B. Water is chemically out of balance; consult pool professional.

C. Excessive air in filter. Vent air from tank and check for pump suction pipe leaks. Clean air bleed filter in module assembly with a hose and soft flow nozzle.

D. Filter is too small. Install an additional filter.

E. Pool water contains iron. See "Special Cleaning Instructions", Page 8.

F. Heavy or improper application of powdered chlorine tablets using a binder. See "Special Cleaning Instructions", Page 8.

G. Algae in the pool. Apply heavy dose of chlorine or algicide as recommended by the pool manufacturer.

H. Use of incorrect chemicals with PHMB sanitizers. Replace filter module.

5. Pool Water Not Clean:

A. Chlorine residual too low; maintain adequate chlorine residual (consult pool service technician for recommendation).

B. Filter module cloth torn, plugged, or punctured; replace module.

C. Inadequate turnover rate; consult dealer to verify that equipment is properly sized for your pool.

D. Pump is too large and is overpumping. Reduce the flow rate.

E. The filter is installed backwards. Reinstall it correctly.

F. Pool water contains iron. See "Special Cleaning Instructions", Page 8.

G. Heavy or improper application of powdered chlorine tablets using a binder. See "Special Cleaning Instructions", Page 8.

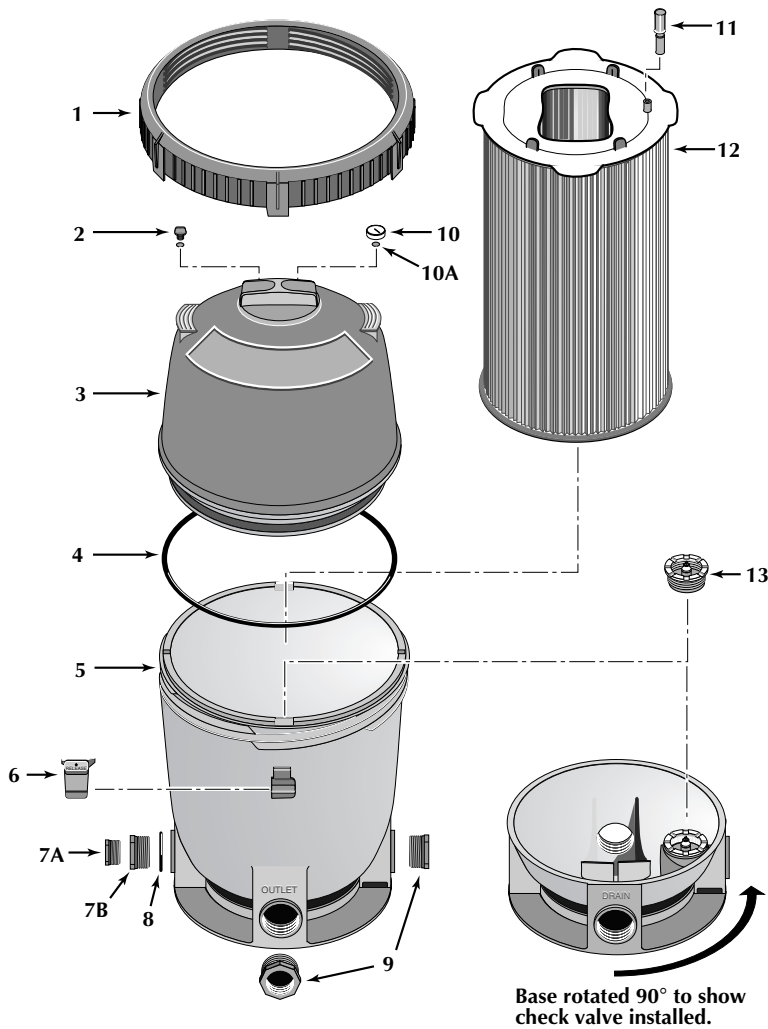
H. Algae in the pool. Apply heavy dose of chlorine or algicide as recommended by the pool manufacturer.

6. Pool Accessories Stop Working:

A. Clean filter and observe performance of accessories.

B. If accessories perform better after filter has been cleaned, use a shorter cleaning cycle for the filter (that is, clean the filter after a pressure rise of less than 10 PSI).

REPAIR PARTS



Key No.	Description	Qty.	Part Number
1	Posi-Lok™ ring*	1	27001-0050B
2	Air release valve assembly	1	25010-0200
3	Tank shell upper half*	1	27001-0020S
4	Tank O-ring	1	27001-0061S
5	Tank shell lower half	1	27001-0009S
6	Safety latch for ring	1	27001-0051
7A	1-1/2" NPT plug	1	11201-0005B
7B	Adapter fitting	1	24900-0509
8	O-ring	1	35505-1424
9	2" x 1-1/2" Pipe reducer**	2	U78-820P
10	Pressure gauge***	1	15060-0000T
10A	Pressure gauge screen***	1	WC8-72D
11	Air bleed assembly	1	24800-0121
12	Filter module (PLM100)	1	27002-0100S
12	Filter module (PLM125)	1	27002-0125S
12	Filter module (PLM150)	1	27002-0150S
12	Filter module (PLM175)	1	27002-0175S
12	Filter module (PLM200)	1	27002-0200S
13	Spring check valve**	1	27001-0130S
	• Accessory package	1	27001-0140
	• Decal, logo	1	27001-0041
	• Decal, warning	1	27001-0042
	• Decal, operating instr.	1	27002-0043
	• Decal, nameplate (PLM100)	1	27002-0042
	• Decal, nameplate (PLM125)	1	32155-4144
	• Decal, nameplate (PLM150)	1	27002-0045
	• Decal, nameplate (PLM175)	1	32155-4145
	• Decal, nameplate (PLM200)	1	32155-4146
	• Owner's manual	1	S338
	• Teflon tape***	1	U97-58
	• O-ring grease***	1	34725-0013

- Not illustrated.
- * Includes all decals and labels.
- ** Optional equipment.
- *** Shipped in accessory package.

STA-RITE LIMITED WARRANTY

Pumps, filters, skimmers, underwater lights (except bulbs), accessories and fittings manufactured by Sta-Rite are warranted to be free of defects in material and workmanship for one (1) year from date of installation.

Product specific warranties:	Year from date of installation
<i>HRPB, DEPB, System 3, and PL</i> - Tanks	10 years
Internal filter components and valves	1 year
<i>Max-E-Therm</i> - Pool/Spa Heaters	2 years
Heater Enclosure only (Upper RH & LH; lower enclosure; and control board enclosure)...	10 years
<i>Automatic Pool Cleaners including Hose</i>	2 years
<i>Cristal-Flo filters</i> - Tanks	10 years pro-rated*
Valve and internal components.	1 year
<i>Posi-Flo II</i> - Tanks	10 years
Elements	1 year
<i>PRC Cartridge</i> -	
Filter Tanks	5 years pro-rated (1st 2 years full)
Elements	1 year
<i>System 3 Above Ground Systems</i> - Tanks	10 years
Pumps / Platform and Internals	1 year
<i>Pumps</i>	1 year
When equipped with A.O. Smith 2-compartment motors (Does not include pumps sold as part of a systems package)	2 years
<i>Traps / In-Line Strainers</i>	1 year
<i>Vertical Commercial Filter</i> - Tanks	10 years
Internals	1 year
<i>Horizontal Commercial Filter</i>	
Tanks	5 years
(Years 6-9, Prorated declining 20%/year, Yr. 10 - 10%)	
Internals	1 year

* Full warranty coverage is in effect for one year after installation. The pro-rated warranty covers the *tank only* during the 2nd through 10th year after installation. The amount covered decreases by 10% each year. (ie., 2nd year 90% covered, 3rd year 80% covered, etc.).

The foregoing warranties relate to the original consumer purchaser ("Purchaser") only. Sta-Rite shall have the option to repair or replace the defective product, at its sole discre-

tion. Purchasers must pay all labor and shipping charges necessary to replace the product covered by this warranty. Requests for warranty service must be made through the installing dealer. This warranty shall not apply to any product that has been subject to negligence, misapplication, improper installation or maintenance, or other circumstances which are not in Sta-Rite's direct control.

This warranty sets forth Sta-Rite's sole obligation and Purchaser's exclusive remedy for defective products.

STA-RITE SHALL NOT BE LIABLE FOR ANY CONSEQUENTIAL, INCIDENTAL OR CONTINGENT DAMAGES WHATSOEVER.

THE FOREGOING WARRANTIES ARE EXCLUSIVE AND IN LIEU OF ALL OTHER EXPRESS WARRANTIES. IMPLIED WARRANTIES, INCLUDING BUT NOT LIMITED TO THE IMPLIED WARRANTIES OF MERCHANTABILITY AND FITNESS FOR A PARTICULAR PURPOSE, SHALL NOT EXTEND BEYOND THE DURATION OF THE APPLICABLE EXPRESS WARRANTIES PROVIDED HEREIN.

Some states do not allow the exclusion or limitation of incidental or consequential damages or limitations on how long an implied warranty lasts, so the above limitations or exclusion may not apply to you. This warranty gives you specific legal rights and you may also have other rights which vary from state to state.

Supersedes all previous publications.

Sta-Rite Industries, Inc.,
293 Wright St., Delavan, WI 53115

▲ Retain Warranty Certificate (upper portion) in a safe and convenient location for your records.

DETACH HERE: Fill out bottom portion completely and mail within 10 days of purchase/installation to:

▼ Sta-Rite, Attn: Warranty Dept., 293 Wright St., Delavan, WI 53115



Warranty Registration Card

Name _____

Years pool has been in service less than 1 1-3 3-5 5-10 _____

Address _____

Purchased from:
 Company name _____

City _____ State _____ Zip _____

Address _____

Purchase Date _____

City _____ State _____ Zip _____

Product Purchased _____

New installation Replacement _____

Please send me more information on these other products from Sta-Rite.

Type of Pool Inground Vinyl Fiberglass Gunite _____

- Pumps Filters Automatic Pool Cleaners
- Maintenance Equipment Test Strips
- Heaters

Size of Pool _____